

NATIONS TEAM EVENT

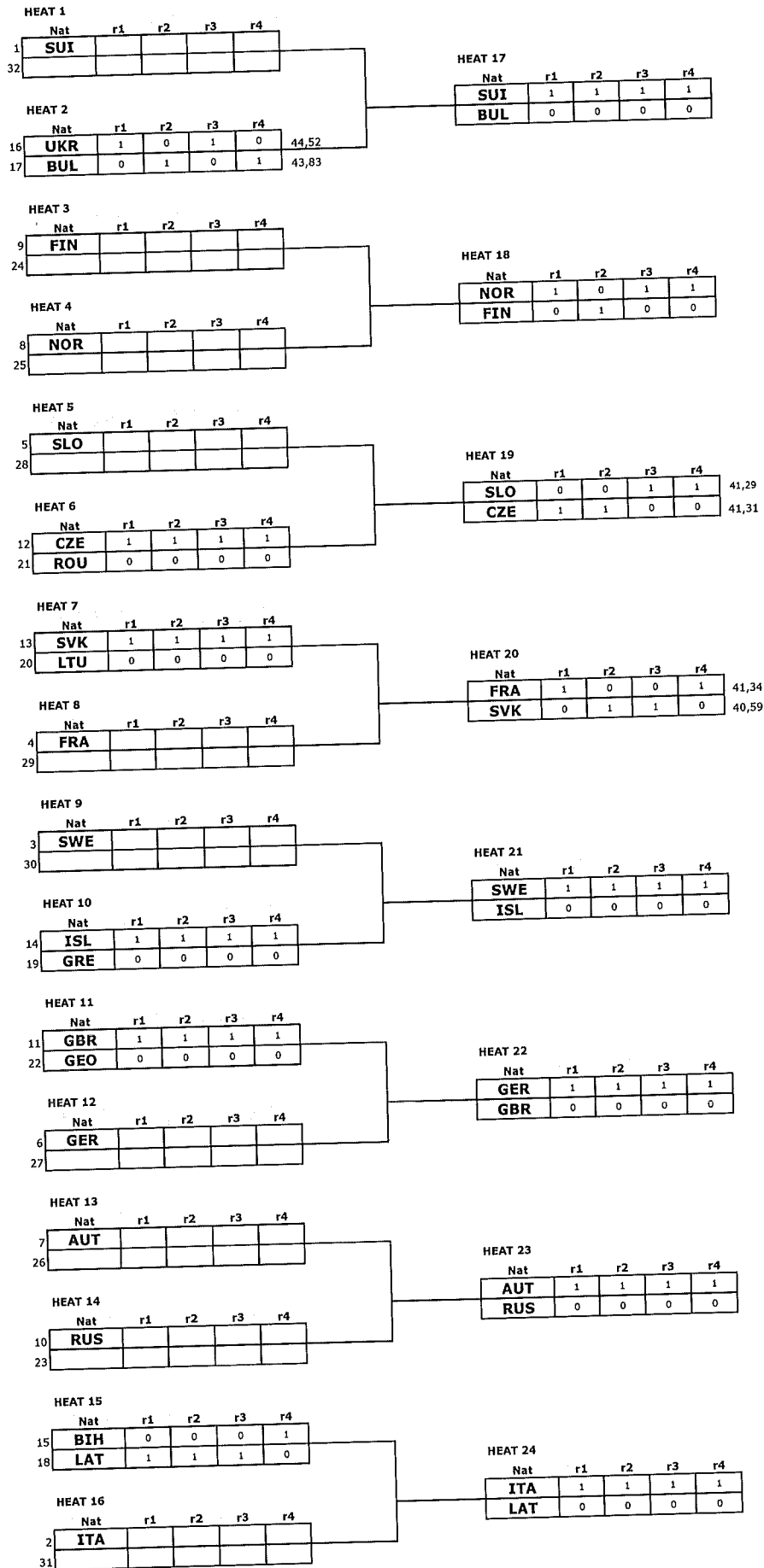
	Bib	Code	Name	Year	Sex	Time
HEAT 2	UKR2	695108	KNYSH Olha	1995	L	22,23
	BUL1	95112	ASENOVA Vera	1995	L	22,78
	UKR4	690721	HAM Ihor	1995	M	22,29
	BUL4	92673	NUSHEV Georgi	1995	M	22,05
	UKR1	695105	GORBUNOVA Anastasiya	1995	L	22,75
	BUL2	95105	HRISTOVA Ana	1994	L	23,38
	UKR6	690728	VASYLYEV Dmytro	1995	M	23,11
	BUL5	92664	POPOV Vladimir	1994	M	21,05
HEAT 6	CZE2	155741	KOTRLOVA Katerina	1994	L	20,90
	ROU2	465089	PUIU Ruxandra	1994	L	23,68
	CZE5	151059	POHANKA Jakub	1994	M	19,97
	ROU4	460094	CULDA Andrei	1994	M	22,50
	CZE1	155766	DROZDIKOVA Dominika	1995	L	21,50
	ROU3	465090	SULE Timea	1994	L	26,38
	CZE4	151060	PAULUS Daniel	1994	M	20,26
	ROU6	460092	TUDORAN Stefan Claudiu	1994	M	22,85
HEAT 7	SVK1	705419	CHEBENOVA Lenka	1994	L	22,62
	LTU1	785007	JANUSKEVICIUTE Ieva	1994	L	23,82
	SVK5	700890	IVAN Michal	1994	M	21,73
	LTU4	780011	PAJARSKAS Kasparas	1994	M	28,35
	SVK3	705423	VLHOVA Petra	1995	L	20,99
	LTU2	785006	KULIESIUTE Marcele	1994	L	23,52
	SVK6	700908	MURIN Roman	1995	M	20,94
	LTU5	780012	TUMAS Aivaras	1995	M	22,45
HEAT 10	ISL1	255352	ASGEIRSDOTTIR Erla	1994	L	22,67
	GRE3	235241	VLACHOU Anna Afroditi	1994	L	23,30
	ISL4	250359	BJARNASON Jakob-Helgi	1995	M	21,02
	GRE4	230609	DELLIOS Michael	1994	M	22,36
	ISL2	255357	EINARSDOTTIR Freydis-Halla	1994	L	21,91
	GRE1	235277	GKOGKOU Anastasia	1995	L	23,63
	ISL6	250353	SNORRASON Sturla-Snaer	1994	M	20,26
	GRE5	230597	GALANOPOULOS Prodromos	1994	M	22,25
HEAT 11	GBR2	225554	EVANS Emily	1994	L	21,84
	GEO1	685022	BAKRADZE Tamar	1995	L	26,26
	GBR4	221117	GOWER Jack	1994	M	20,41
	GEO5	680060	KOZANASHVILI Nikoloz	1995	M	DNF
	GBR1	225580	BEATTIE Natalie	1994	L	22,03
	GEO2	685020	GAVVA Susana	1995	L	25,17
	GBR5	221112	MOYNIHAN Nicholas	1994	M	20,65
	GEO6	680058	KURTANIDZE Kakha	1994	M	22,30
HEAT 15	BIH1	715153	HADZIC Sumejja	1994	L	22,75
	LAT2	555028	KRUMINA Katrina	1994	L	22,65
	BIH5	710339	SABLJICA Kerim	1994	M	21,56
	LAT6	550066	ZVEJNIEKS Miks	1995	M	21,30
	BIH2	715154	HADZOVIC Inda	1994	L	22,60
	LAT3	555029	MELDERE Ieva	1994	L	22,48
	BIH4	710342	BOSNJAK Franjo	1994	M	21,36
	LAT5	550064	ZILE Girts	1994	M	DNF

	Bib	Code	Name	Year	Sex	Time
HEAT 17	SUI2	516344	KOPP Rahel	1994	L	21,95
	BUL1	95112	ASENOVA Vera	1995	L	22,64
	SUI5	512062	BELLWALD Emanuel	1994	M	19,74
	BUL4	92673	NUSHEV Georgi	1995	M	21,57
	SUI3	516319	SUTER Corinne	1994	L	20,74
	BUL2	95105	HRISTOVA Ana	1994	L	23,01
	SUI6	512063	BONVIN Anthony	1994	M	20,30
	BUL5	92664	POPOV Vladimir	1994	M	21,08
HEAT 18	NOR1	426039	HEGGEBOE Frida	1994	L	20,98
	FIN3	185372	INGMAN Anette	1994	L	DNF
	NOR5	422304	KRISTOFFERSEN Henrik	1994	M	20,29
	FIN4	180722	KUUKKA Justus	1994	M	20,27
	NOR3	426037	JENSSEN Karoline Ekse	1994	L	20,73
	FIN1	185383	AHONEN Saana	1994	L	21,34
	NOR6	422310	SEJERSTED Adrian Smiseth	1994	M	19,64
	FIN6	180726	VAHAPASSI Oskari	1994	M	21,32
HEAT 19	SLO2	565410	OZBOLT Petra	1994	L	21,28
	CZE1	155766	DROZDIKOVA Dominika	1995	L	20,76
	SLO5	561299	ROBIC Sergij	1994	M	21,30
	CZE4	151060	PAULUS Daniel	1994	M	20,55
	SLO3	565417	PLUT Eli	1994	L	20,57
	CZE2	155741	KOTRLOVA Katerina	1994	L	21,20
	SLO4	561310	HROBAT Miha	1995	M	20,72
	CZE5	151059	POHANKA Jakub	1994	M	20,96
HEAT 20	FRA2	197498	DEPOMMIER Flora	1994	L	21,06
	SVK2	705424	MIKLOSOVA Katarina	1995	L	21,67
	FRA5	194866	GALAND NOE Antoine	1994	M	21,68
	SVK4	700901	HYSKA Martin	1994	M	20,18
	FRA3	197499	GENAND RIONDET Auxane	1994	L	21,16
	SVK3	705423	VLHOVA Petra	1995	L	20,41
	FRA6	194873	SARRAZIN Cyprien	1994	M	20,28
	SVK6	700908	MURIN Roman	1995	M	21,20
HEAT 21	SWE2	506664	FJAELLSTROEM Magdalena	1995	L	20,69
	ISL2	255357	EINARSDOTTIR Freydis-Halla	1994	L	DNF
	SWE6	501994	SUNDQUIST Max-gordon	1994	M	20,76
	ISL6	250353	SNORRASON Sturla-Snaer	1994	M	27,50
	SWE3	506583	SAEFVENBERG Charlotta	1994	L	21,07
	ISL1	255352	ASGEIRSDOTTIR Erla	1994	L	22,52
	SWE4	501992	GRAHN Dan Axel	1994	M	20,43
	ISL4	250359	BJARNASON Jakob-Helgi	1995	M	21,19
HEAT 22	GER2	206532	SCHMOTZ Marlene	1994	L	20,64
	GBR1	225580	BEATTIE Natalie	1994	L	35,76
	GER5	202584	RAUCHFUSS Julian	1994	M	19,91
	GBR5	221112	MOYNIHAN Nicholas	1994	M	20,51
	GER1	206520	DORSCH Patrizia	1994	L	20,24
	GBR2	225554	EVANS Emily	1994	L	21,84
	GER6	202597	SCHMID Alexander	1994	M	19,80
	GBR4	221117	GOWER Jack	1994	M	27,88

	Bib	Code	Name	Year	Sex	Time
HEAT 23	AUT1	56224	MAIER Sabrina	1994	L	20,77
	RUS1	485772	ASTAPENKO Daria	1994	L	24,17
	AUT6	54209	KRENN Christoph	1994	M	20,04
	RUS5	481540	KOLGOTIN Pavel	1994	M	20,31
	AUT2	56256	RAEDLER Ariane	1995	L	20,50
	RUS3	485749	PROKOPYEVA Aleksandra	1994	L	21,42
	AUT5	54229	FRANZ Werner Jun.	1994	M	20,16
	RUS6	481549	STUKOV Maksim	1994	M	20,56
HEAT 24	ITA1	298904	CILLARA ROSSI Valentina	1994	L	21,33
	LAT2	555028	KRUMINA Katrina	1994	L	22,42
	ITA6	6291028	SORIO Daniele	1994	M	20,63
	LAT6	550066	ZVEJNIEKS Miks	1995	M	22,98
	ITA2	298694	PICHLER Karoline	1994	L	20,37
	LAT3	555029	MELDERE Ieva	1994	L	22,93
	ITA5	6291099	GUALAZZI Michele	1994	M	19,64
	LAT5	550064	ZILE Girts	1994	M	21,49
HEAT 25	SUI2	516344	KOPP Rahel	1994	L	21,15
	NOR2	426100	HOLTMANN Mina Fuerst	1995	L	DNF
	SUI6	512063	BONVIN Anthony	1994	M	DNF
	NOR5	422304	KRISTOFFERSEN Henrik	1994	M	19,66
	SUI3	516319	SUTER Corinne	1994	L	DNF
	NOR3	426037	JENSSEN Karoline Ekse	1994	L	20,98
	SUI5	512062	BELLWALD Emanuel	1994	M	19,43
	NOR4	422379	FJELDBERG Martin	1995	M	DSQ
HEAT 26	SLO2	565410	OZBOLT Petra	1994	L	21,01
	SVK2	705424	MIKLOSOVA Katarina	1995	L	21,35
	SLO6	561297	TODOROVIC Filip	1994	M	20,94
	SVK4	700901	HYSKA Martin	1994	M	19,90
	SLO3	565417	PLUT Eli	1994	L	20,46
	SVK3	705423	VLHOVA Petra	1995	L	20,87
	SLO4	561310	HROBAT Miha	1995	M	20,85
	SVK6	700908	MURIN Roman	1995	M	20,72
HEAT 27	SWE1	506555	BLOMQVIST Lisa	1994	L	DSQ
	GER2	206532	SCHMOTZ Marlene	1994	L	20,06
	SWE5	501987	MONSEN Felix	1994	M	DSQ
	GER5	202584	RAUCHFUSS Julian	1994	M	19,67
	SWE2	506664	FJAELLSTROEM Magdalena	1995	L	20,11
	GER1	206520	DORSCH Patrizia	1994	L	21,11
	SWE6	501994	SUNDQUIST Max-gordon	1994	M	19,55
	GER6	202597	SCHMID Alexander	1994	M	DSQ
HEAT 28	ITA3	298767	SOSIO Federica	1994	L	21,28
	AUT1	56224	MAIER Sabrina	1994	L	20,39
	ITA4	6290985	BUZZI Emanuele	1994	M	19,28
	AUT5	54229	FRANZ Werner Jun.	1994	M	DNF
	ITA2	298694	PICHLER Karoline	1994	L	20,52
	AUT2	56256	RAEDLER Ariane	1995	L	20,75
	ITA5	6291099	GUALAZZI Michele	1994	M	19,49
	AUT4	54243	DUERAGER Matthaeus	1994	M	19,52

	Bib	Code	Name	Year	Sex	Time
HEAT 29	SUI2	516344	KOPP Rahel	1994	L	21,19
	SVK2	705424	MIKLOSOVA Katarina	1995	L	21,02
	SUI6	512063	BONVIN Anthony	1994	M	DNF
	SVK4	700901	HYSKA Martin	1994	M	20,29
	SUI3	516319	SUTER Corinne	1994	L	20,45
	SVK3	705423	VLHOVA Petra	1995	L	20,54
HEAT 30	SUI5	512062	BELLWALD Emanuel	1994	M	19,81
	SVK6	700908	MURIN Roman	1995	M	20,73
	ITA3	298767	SOSIO Federica	1994	L	DSQ
	SWE1	506555	BLOMQVIST Lisa	1994	L	20,11
	ITA4	6290985	BUZZI Emanuele	1994	M	18,98
	SWE6	501994	SUNDQUIST Max-gordon	1994	M	19,23
	ITA2	298694	PICHLER Karoline	1994	L	20,71
	SWE2	506664	FJAELLSTROEM Magdalena	1995	L	20,57
SMALL FINAL	ITA5	6291099	GUALAZZI Michele	1994	M	20,01
	SWE4	501992	GRAHN Dan Axel	1994	M	20,74
	ITA1	298904	CILLARA ROSSI Valentina	1994	L	21,19
	SVK2	705424	MIKLOSOVA Katarina	1995	L	21,16
	ITA4	6290985	BUZZI Emanuele	1994	M	19,51
	SVK4	700901	HYSKA Martin	1994	M	19,73
	ITA2	298694	PICHLER Karoline	1994	L	20,79
	SVK3	705423	VLHOVA Petra	1995	L	DNF
BIG FINAL	ITA5	6291099	GUALAZZI Michele	1994	M	20,05
	SVK6	700908	MURIN Roman	1995	M	20,78
	SUI2	516344	KOPP Rahel	1994	L	20,61
	SWE1	506555	BLOMQVIST Lisa	1994	L	20,01
	SUI4	512061	ANTONIN Samuel	1994	M	DSQ
	SWE6	501994	SUNDQUIST Max-gordon	1994	M	19,69
	SUI3	516319	SUTER Corinne	1994	L	20,25
	SWE2	506664	FJAELLSTROEM Magdalena	1995	L	20,17
BIG FINAL	SUI5	512062	BELLWALD Emanuel	1994	M	21,54
	SWE5	501987	MONSEN Felix	1994	M	DSQ

NATIONS TEAM EVENT



NATIONS TEAM EVENT

1/8 FINALS

HEAT 17

Nat	r1	r2	r3	r4
SUI	1	1	1	1
BUL	0	0	0	0

1/4 FINALS

HEAT 25

Nat	r1	r2	r3	r4	
SUI	1	0	0	1	40,58
NOR	0	1	1	0	40,64

HEAT 18

Nat	r1	r2	r3	r4
NOR	1	0	1	1
FIN	0	1	0	0

HEAT 19

Nat	r1	r2	r3	r4	
SLO	0	0	1	1	41,29
CZE	1	1	0	0	41,31

SEMIFINALS

HEAT 29

Nat	r1	r2	r3	r4	
SUI	0	0	1	1	40,26
SVK	1	1	0	0	40,83

HEAT 26

Nat	r1	r2	r3	r4	
SLO	1	0	1	0	41,31
SVK	0	1	0	1	40,77

HEAT 20

Nat	r1	r2	r3	r4	
FRA	1	0	0	1	41,34
SVK	0	1	1	0	40,59

HEAT 21

Nat	r1	r2	r3	r4
SWE	1	1	1	1
ISL	0	0	0	0

HEAT 27

Nat	r1	r2	r3	r4	
SWE	0	0	1	1	39,66
GER	1	1	0	0	39,73

HEAT 30

Nat	r1	r2	r3	r4	
ITA	0	1	0	1	39,69
SWE	1	0	1	0	39,34

BIG FINAL

Nat	r1	r2	r3	r4
SUI	0	0	0	1
SWE	1	1	1	0

HEAT 22

Nat	r1	r2	r3	r4
GER	1	1	1	1
GBR	0	0	0	0

HEAT 28

Nat	r1	r2	r3	r4	
ITA	0	1	1	1	
AUT	1	0	0	0	

SMALL FINAL

Nat	r1	r2	r3	r4
ITA	0	1	1	1
SVK	1	0	0	0

HEAT 23

Nat	r1	r2	r3	r4
AUT	1	1	1	1
RUS	0	0	0	0

HEAT 24

Nat	r1	r2	r3	r4
ITA	1	1	1	1
LAT	0	0	0	0

FINAL RANKING

1	SWE	
2	SUI	
3	ITA	
4	SVK	
5	GER	39,73
6	AUT	39,91
7	NOR	40,64
8	SLO	41,31

NATIONS TEAM EVENT

1	SUI	SUI1	516334	CHABLE Charlotte	1994	L	34,91
		SUI2	516344	KOPP Rahel	1994	L	23,28
		SUI3	516319	SUTER Corinne	1994	L	22,97
		SUI4	512061	ANTONIN Samuel	1994	M	47,55
		SUI5	512062	BELLWALD Emanuel	1994	M	45,61
		SUI6	512063	BONVIN Anthony	1994	M	46,89
2	ITA	ITA1	298904	CILLARA ROSSI Valentina	1994	L	27,07
		ITA2	298694	PICHLER Karoline	1994	L	37,76
		ITA3	298767	SOSIO Federica	1994	L	42,64
		ITA4	6290985	BUZZI Emanuele	1994	M	40,71
		ITA5	6291099	GUALAZZI Michele	1994	M	40,54
		ITA6	6291028	SORIO Daniele	1994	M	40,09
3	SWE	SWE1	506555	BLOMQVIST Lisa	1994	L	30,56
		SWE2	506664	FJAELLSTROEM Magdalena	1995	L	28,42
		SWE3	506583	SAEFVENBERG Charlotta	1994	L	29,10
		SWE4	501992	GRAHN Dan Axel	1994	M	45,30
		SWE5	501987	MONSEN Felix	1994	M	44,34
		SWE6	501994	SUNDQUIST Max-gordon	1994	M	45,94
4	FRA	FRA1	197512	ANGULO Isabelle	1994	L	43,35
		FRA2	197498	DEPOMMIER Flora	1994	L	37,80
		FRA3	197499	GENAND RIONDET Auxane	1994	L	34,26
		FRA4	194858	ALLEGRE Nils	1994	M	36,70
		FRA5	194866	GALAND NOE Antoine	1994	M	38,85
		FRA6	194873	SARRAZIN Cyprien	1994	M	53,05
5	SLO	SLO1	565403	LIVK Klara	1994	L	44,86
		SLO2	565410	OZBOLT Petra	1994	L	35,18
		SLO3	565417	PLUT Eli	1994	L	32,82
		SLO4	561310	HROBAT Miha	1995	M	45,10
		SLO5	561299	ROBIC Sergij	1994	M	38,75
		SLO6	561297	TODOROVIC Filip	1994	M	51,10
6	GER	GER1	206520	DORSCH Patrizia	1994	L	35,61
		GER2	206532	SCHMOTZ Marlene	1994	L	36,85
		GER3	206536	WALLNER Marina	1994	L	43,08
		GER4	202603	MAAS Max	1994	M	43,42
		GER5	202584	RAUCHFUSS Julian	1994	M	49,96
		GER6	202597	SCHMID Alexander	1994	M	37,09
7	AUT	AUT1	56224	MAIER Sabrina	1994	L	34,44
		AUT2	56256	RAEDLER Ariane	1995	L	58,87
		AUT3	56241	SCHNEEBERGER Rosina	1994	L	42,60
		AUT4	54243	DUERAGER Matthaeus	1994	M	48,58
		AUT5	54229	FRANZ Werner Jun.	1994	M	41,68
		AUT6	54209	KRENN Christoph	1994	M	47,73

8	NOR	NOR1	426039	HEGGEBOE Frida	1994	L	46,85
		NOR2	426100	HOLTMANN Mina Fuerst	1995	L	61,07
		NOR3	426037	JENSSEN Karoline Ekse	1994	L	52,47
		NOR4	422379	FJELDBERG Martin	1995	M	44,58
		NOR5	422304	KRISTOFFERSEN Henrik	1994	M	26,01
		NOR6	422310	SEJERSTED Adrian Smiseth	1994	M	37,44
9	FIN	FIN1	185383	AHONEN Saana	1994	L	52,50
		FIN2	185378	GRONHOLM Corinne	1994	L	58,49
		FIN3	185372	INGMAN Anette	1994	L	64,55
		FIN4	180722	KUUKKA Justus	1994	M	42,38
		FIN5	180737	LUUKKO Max	1994	M	53,69
		FIN6	180726	VAHAPASSI Oskari	1994	M	42,86
10	RUS	RUS1	485772	ASTAPENKO Daria	1994	L	48,47
		RUS2	485771	NADYRSHINA Margarita	1994	L	57,53
		RUS3	485749	PROKOPYEVA Aleksandra	1994	L	53,59
		RUS4	481529	ALEKHIN Alexander	1994	M	65,02
		RUS5	481540	KOLGOTIN Pavel	1994	M	59,03
		RUS6	481549	STUKOV Maksim	1994	M	51,95
11	GBR	GBR1	225580	BEATTIE Natalie	1994	L	56,97
		GBR2	225554	EVANS Emily	1994	L	78,65
		GBR4	221117	GOWER Jack	1994	M	41,27
		GBR5	221112	MOYNIHAN Nicholas	1994	M	59,42
12	CZE	CZE1	155766	DROZDIKOVA Dominika	1995	L	58,74
		CZE2	155741	KOTRLOVA Katerina	1994	L	50,98
		CZE3	155763	LEDECKA Ester	1995	L	64,35
		CZE4	151060	PAULUS Daniel	1994	M	65,52
		CZE5	151059	POHANKA Jakub	1994	M	82,36
		CZE6	151061	VACLAVIK Lukas	1994	M	86,48
13	SVK	SVK1	705419	CHEBENOVA Lenka	1994	L	69,91
		SVK2	705424	MIKLOSOVA Katarina	1995	L	81,48
		SVK3	705423	VLHOVA Petra	1995	L	45,90
		SVK4	700901	HYSKA Martin	1994	M	79,85
		SVK5	700890	IVAN Michal	1994	M	88,28
		SVK6	700908	MURIN Roman	1995	M	93,11
14	ISL	ISL1	255352	ASGEIRSDOTTIR Erla	1994	L	83,57
		ISL2	255357	EINARSDOTTIR Freydis-Halla	1994	L	72,14
		ISL3	255367	VILHJALMSDOTTIR Helga-Maria	1995	L	107,24
		ISL4	250359	BJARNASON Jakob-Helgi	1995	M	68,43
		ISL5	250348	KRISTGEIRSSON Einar-Kristinn	1994	M	78,83
		ISL6	250353	SNORRASON Sturla-Snaer	1994	M	66,29
15	BIH	BIH1	715153	HADZIC Sumejja	1994	L	92,84
		BIH2	715154	HADZOVIC Inda	1994	L	116,60
		BIH4	710342	BOSNJAK Franjo	1994	M	95,56
		BIH5	710339	SABLJICA Kerim	1994	M	84,12

16	UKR	UKR1	695105	GORBUNOVA Anastasiya	1995	L	75,75
		UKR2	695108	KNYSH Olha	1995	L	999,99
		UKR3	695101	TIKUN Tetyana	1994	L	80,53
		UKR4	690721	HAM Ihor	1995	M	131,09
		UKR5	690722	MYTSAK Dmytro	1995	M	161,48
		UKR6	690728	VASYLYEV Dmytro	1995	M	999,99
17	BUL	BUL1	95112	ASENOVA Vera	1995	L	108,41
		BUL2	95105	HRISTOVA Ana	1994	L	169,66
		BUL4	92673	NUSHEV Georgi	1995	M	132,69
		BUL5	92664	POPOV Vladimir	1994	M	79,91
18	LAT	LAT1	555030	BERZINA Beate	1994	L	152,22
		LAT2	555028	KRUMINA Katrina	1994	L	114,74
		LAT3	555029	MELDERE Ieva	1994	L	146,07
		LAT4	550063	CIVCS Toms	1994	M	175,20
		LAT5	550064	ZILE Girts	1994	M	127,81
		LAT6	550066	ZVEJNIEKS Miks	1995	M	111,35
19	GRE	GRE1	235277	GKOGKOU Anastasia	1995	L	204,70
		GRE2	235253	KARAPIPERI Eleni	1994	L	207,57
		GRE3	235241	VLACHOU Anna Afroditi	1994	L	200,04
		GRE4	230609	DELLIOS Michael	1994	M	131,12
		GRE5	230597	GALANOPOULOS Prodromos	1994	M	113,42
		GRE6	230667	PROIOS Ioannis	1995	M	170,12
20	LTU	LTU1	785007	JANUSKEVICIUTE Ieva	1994	L	217,28
		LTU2	785006	KULIESIUTE Marcele	1994	L	193,21
		LTU4	780011	PAJARSKAS Kasparas	1994	M	257,54
		LTU5	780012	TUMAS Aivaras	1995	M	999,99
21	ROU	ROU1	465087	COSTACHE Vanessa	1994	L	999,99
		ROU2	465089	PUIU Ruxandra	1994	L	999,99
		ROU3	465090	SULE Timea	1994	L	999,99
		ROU4	460094	CULDA Andrei	1994	M	200,78
		ROU5	460097	SEBESTYEN Peter	1994	M	999,99
		ROU6	460092	TUDORAN Stefan Claudiu	1994	M	151,40
22	GEO	GEO1	685022	BAKRADZE Tamar	1995	L	999,99
		GEO2	685020	GAVVA Susana	1995	L	999,99
		GEO3	685021	CHKHEIDZE Elene	1995	L	999,99
		GEO4	680059	BAKRADZE Zurab	1994	M	198,08
		GEO5	680060	KOZANASHVILI Nikoloz	1995	M	999,99
		GEO6	680058	KURTANIDZE Kakha	1994	M	170,34